



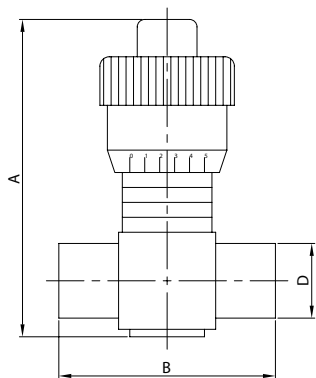
V. REGOLAZ. FLUSSO EL.
 FLOW CONTROL VALVE PE.
 VANNE RÉGLAGE FLUX BL.
 VÁLVULA REGULACIÓN EL.

V. REG. FLUSSO E. SM.
 FLOW CONTROL V. E. FR.
 V. RÉGLAGE FLUX B. FR.
 V. REGULACIÓN E. SM.

VALVOLA SICUREZZA EL.
 RELIEF VALVE PE.
 SOUPAPE SÛRETÉ BL.
 VÁLVULA SEGURIDAD EL.

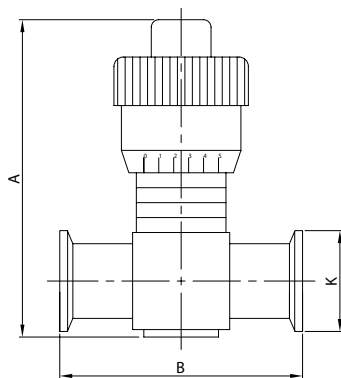
VALVOLA SICUREZZA E. SM.
 RELIEF VALVE E. FR.
 SOUPAPE SÛRETÉ B. FR.
 V. SEGURIDAD E. SM.

W62



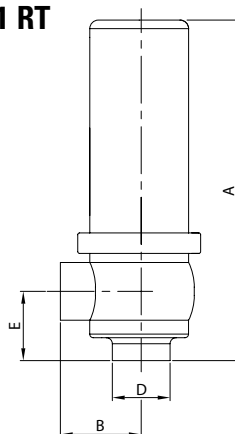
DN	A	B	D	gr
1" 25	127,0	83,0	25,4	1.220
1 1/2" 38	140,0	100,0	38,1	2.200
2" 51	165,0	124,0	50,8	2.820
2 1/2" 63	200,0	133,0	63,5	3.760
3" 76	253,0	145,0	76,2	7.420

K62



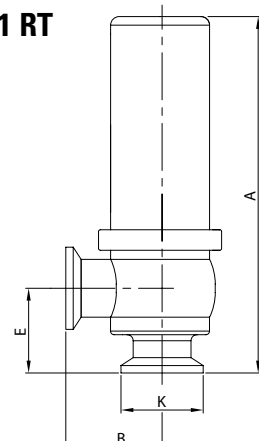
DN	A	B	K	gr
1" 25	127,0	100,0	50,5	1.440
1 1/2" 38	140,0	117,0	50,5	2.560
2" 51	165,0	127,0	64,0	3.150
2 1/2" 63	200,0	140,0	77,0	4.200
3" 76	253,0	152,0	91,0	8.300

W61 RT



DN	A	B	D	E	gr
1" 25	190,0	45,0	25,4	30,0	2.185
1 1/2" 38	233,0	56,0	38,1	38,0	2.270
2" 51	245,0	65,0	50,8	45,0	2.910
2 1/2" 63	261,0	70,0	63,5	52,0	4.550
3" 76	276,0	85,0	76,2	60,0	6.100

K61 RT



DN	A	B	E	K	gr
1" 25	203,0	58,0	43,0	50,5	2.300
1 1/2" 38	246,0	59,0	51,0	50,5	2.350
2" 51	258,0	78,0	58,0	64,0	3.030
2 1/2" 63	274,0	83,0	65,0	77,5	4.710
3" 76	289,0	93,0	73,0	91,0	6.280

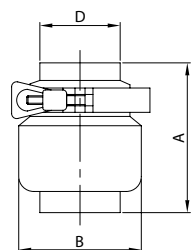
VALVOLA RITEGNO EL.
 CHECK VALVE PE.
 CLAPET ANTIRETOUR BL.
 VÁLVULA RETENCIÓN EL.

VALVOLA RITEGNO E. SM.
 CHECK VALVE E. FR.
 CLAPET ANTIRETOUR B. FR.
 V. RETENCIÓN E. SM.

V. PRESS. DEPR. EL.
 VACUUM PRESS. V. PE.
 S. PRESS. DÉPR. BL.
 V. PRESIÓN VACÍO EL.

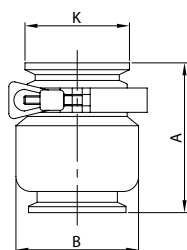
V. PRESS. DEPR. E. SM.
 VACUUM PRESS. V. E. FR.
 S. PRESS. DÉPR. B. FR.
 V. PRESIÓN VACÍO E. SM.

W64 V



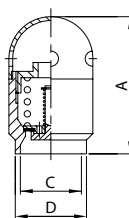
DN	A	B	D	gr
1/2" 12	74,0	25,0	12,7	240
3/4" 19	75,0	25,0	19,0	520
1" 25	94,0	50,5	25,4	880
1 1/2" 38	95,0	64,0	38,1	1.070
2" 51	102,0	77,5	50,8	1.750
2 1/2" 63	111,0	91,0	63,5	2.140
3" 76	125,0	119,0	76,2	3.950
4" 101	136,0	131,0	101,6	4.900

K64 V



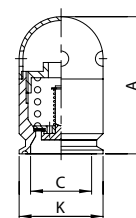
DN	A	B	K	gr
1/2" 12	74,0	25,0	25,0	260
3/4" 19	75,0	40,0	25,0	540
1" 25	94,0	50,5	50,5	900
1 1/2" 38	95,0	64,0	50,5	1.100
2" 51	102,0	77,5	64,0	1.800
2 1/2" 63	111,0	91,0	77,5	2.200
3" 76	125,0	119,0	91,0	4.020
4" 101	136,0	131,0	119,0	5.000

W64 VP



DN	A	C	D	gr
1 1/2" 38	80,0	34,8	38,1	440
2" 51	102,0	47,5	50,8	890
2 1/2" 63	113,0	60,2	63,5	1.500

K64 VP



DN	A	C	K	gr
1 1/2" 38	80,0	34,8	50,5	450
2" 51	102,0	47,5	64,0	900
2 1/2" 63	113,0	60,2	77,5	1.650